

WHAT IS THE BEST OUTDOOR FIXTURE IN THE MARKET?

DISCOVER OUR WATERPROOF LASER LIGHTS.

Light Source:

White Laser:60W~720W RGB Full-Color Laser: 150W/300W/600W.

Light source life: 20000 hours. **Waterproof level:** IP66.

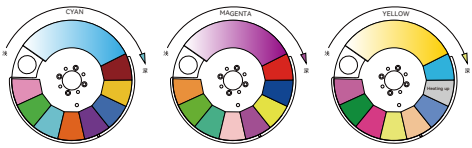
Magnesium alloy material:

High temperature and fireproof,light weight 28kg.

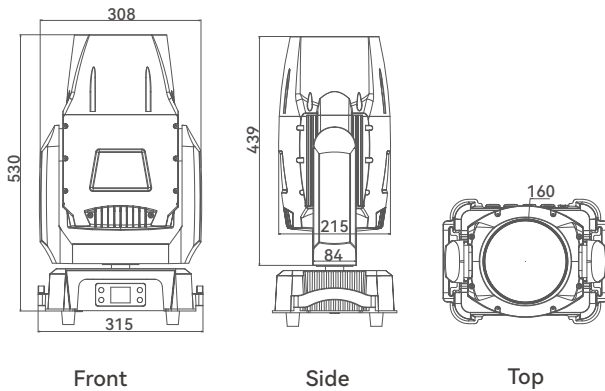
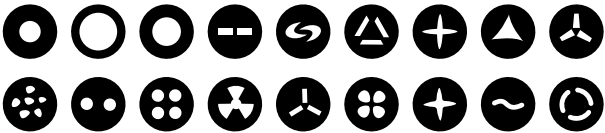


WATERPROOF 120W LASER BEAM IP66

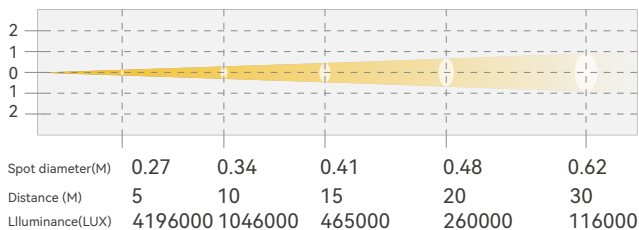
Color



Gobo



120W Illumination table (0.6°)



Optics

Light source	60W/100W/120W/200W
Light output	160mm
Illuminance	10m 1064000LUX
	20m 260000LUX
	30m 116000LUX
Color temperature	7500 K (Customizable)
Light source life	20000 hours
Beam angle	0.6°

Effect

Horizontal scan	540°
Vertical scan	270°
CMY	CMY linear infinite color mixing+CTO
Rainbow	With Rotating Color Wheel
Color	14 colors +white
Rotation Wheel	17 patterns +open
Dimming	0-100%
Strobe	Independent strobe, 0.5-20Hz/S with multi strobe effects
Prism	16 round prism
Frost	With frost to make soft wash effect
Focus	Electric linear focus

Control

Control method	DMX 512 signal control, self control
Channel	16/20channels

Power

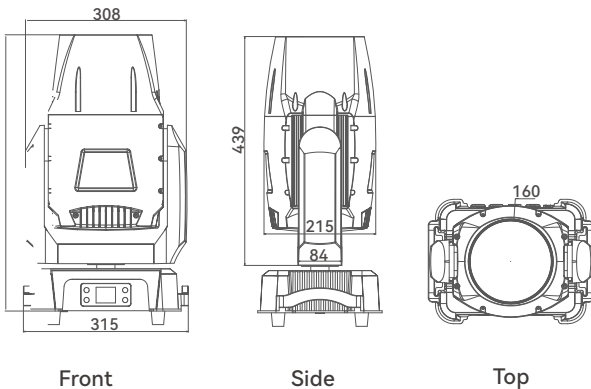
Voltage	AC90-245V 50-60Hz
Consumption	280W
Signal connection	3 pins /5 pins input and output
Waterproof grade	IP66
Material	PC+ABS alloy flame retardant temperature

Package

Net weight	13KG
Size	53*31.5*21.5CM
Carton package (1in1)	40*31.5*65CM

WATERPROOF 150W RGB LASER BEAM IP66

Gobo



150W Illumination table (0.5°)

Spot diameter(M)	0.27	0.34	0.41	0.48	0.62
Distance (M)	5	10	15	20	30
Illuminance(LUX)	4208000	1052000	467000	263000	116000

Optics

Light source	RGB Laser light source150W
Light output	160mm
Illuminance	20m 263000LUX
Color temperature	7000K~9000K(Customizable)
Light source life	15000 hours
Beam angle	0.5°

Effect

Horizontal scan	540°
Vertical scan	270°
Color	14 colors +white
Rotation Wheel	17 patterns +open
Dimming	0-100%
Strobe	Independent strobe, 0.5-20Hz/S with multi strobe effects
Prism	8 round prism/ 16 round prism
Frost	With frost to make soft wash effect
Focus	Electric linear focus

Control

Control method	DMX 512 signal control, self control
Channel	16/20 channels

Power

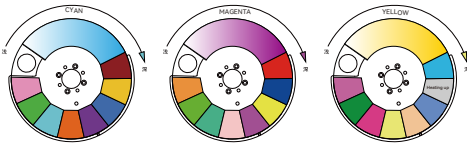
Voltage	110V-240V AC, 50/60Hz
Consumption	280W
Signal connection	3 pins input and output
Waterproof grade	IP66
Material	PC+ABS alloy flame retardant temperature

Package

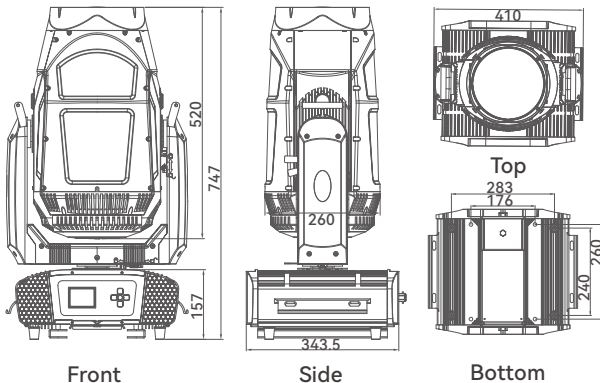
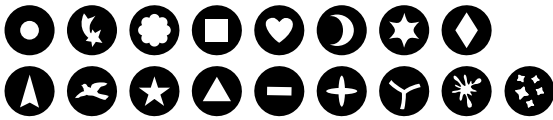
Net weight	13KG
Size	53*31.5*21.5CM
Carton package (1in1)	40*31.5*65CM

WATERPROOF 260W/360W 500W LASER BEAM IP66

Color



Gobo

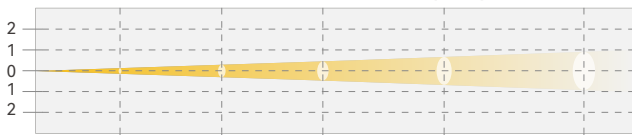


Front

Side

Bottom

260W/360W/500W Illumination table (0.6°)



Spot diameter(M)	0.27	0.34	0.41	0.48	0.62
Distance (M)	5	10	15	20	30
260W Illuminance(LUX)	6560000	1640000	728000	410000	182000
360W Illuminance(LUX)	6880000	1720000	764000	630000	191000
500W Illuminance(LUX)	12000000	3200000	1420000	800000	355000

Optics

Light source	Laser light source 260W/360W/500W
Light output	200mm
Luminous flux	260W 12000 LM, 360W 29000 LM 500W 36000LM
Illuminance	260W 20m 410000LUX 360W 20m 630000LUX, 500W 20m 800000LUX
Color temperature	7500 K
Light source life	20000 hours
Beam angle	0.6°

Effect

Horizontal scan	540°
Vertical scan	270°
Color	CMY color mixing(14 colors + white)+ CTO
Pattern	17 patterns +open
Dimming	0-100%
Strobe	Independent strobe, 0.5-20Hz/S with multi strobe effects
Prism	8-Facet + 16-Facet Prism, Bidirectional Rotation & Overlay Effect
Frost	With frost to make soft wash effect
Focus	Electric linear focus

Control

Control method	DMX 512 signal control, self control
Channel	18/22 channels

Power

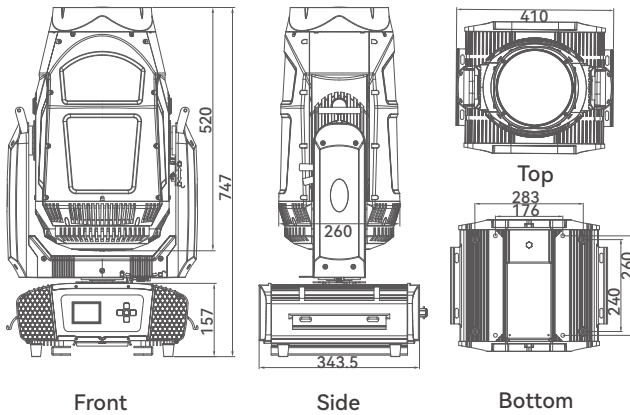
Voltage	AC90-245V 50-60Hz
Signal connection	3 pins input and output
Waterproof grade	IP66
Working temperature:	-45 degrees -50 degrees
Installation method	Can be hung, can be hung upside down, can be side-mounted, can be seat-mounted
Material	High-strength aviation magnesium alloy, high temperature resistance, light weight, long life using

Package

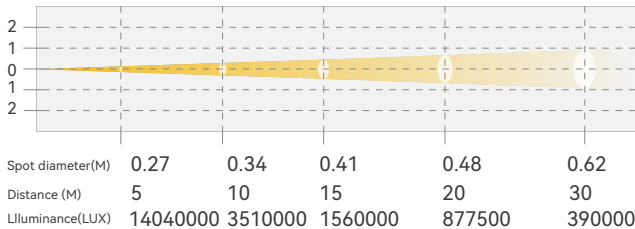
Net weight	28KG
Size	74.5*40.2*34.3CM
Carton package (1in1)	43*45*85CM
Flight case (2in1)	97*52*97CM 82KG

WATERPROOF 300 RGB LASER BEAM IP66

Gobo



300W Illumination table (0.5°)



Optics

Light source	Laser light source RGB 300W
Light output	200mm
Luminous flux	18000LM
Illuminance	30m 390000LUX
Color temperature	7000K (9000K) (optional)
Light source life	20000 hours
Beam angle	0.5°

Effect

Horizontal scan	540°
Vertical scan	270°
Color	R G B Infinite color mixing
Pattern	1 fixed pattern plate with 17 patterns + white
Dimming	0-100%
Strobe	Independent strobe, 0.5-20Hz/S with multi strobe effects
Prism	4 Prism Types, Bidirectional Rotation & Overlay
Frost	With frost to make soft wash effect
Focus	Electric linear focus

Control

Control method	DMX 512 signal control, self control
Channel	18/20 channels

Power

Voltage	AC90-245V 50-60Hz
Signal connection	3 pins input and output
Waterproof grade	IP66
Working temperature:	-45 degrees -50 degrees
Installation method	Can be hung, can be hung upside down, can be side-mounted, can be seat-mounted
Material	High-strength aviation magnesium alloy, high temperature resistance, light weight, long life using

Package

Net weight	28KG, Gross weight: 33KG
Size	74.5*40.2*34.3CM
Carton package (1in1)	43*45*85CM
Flight case (2in 1)	97*52*97CM 82KG